

Bridge #1



Rugged Circuits LLC
Copyright 2011

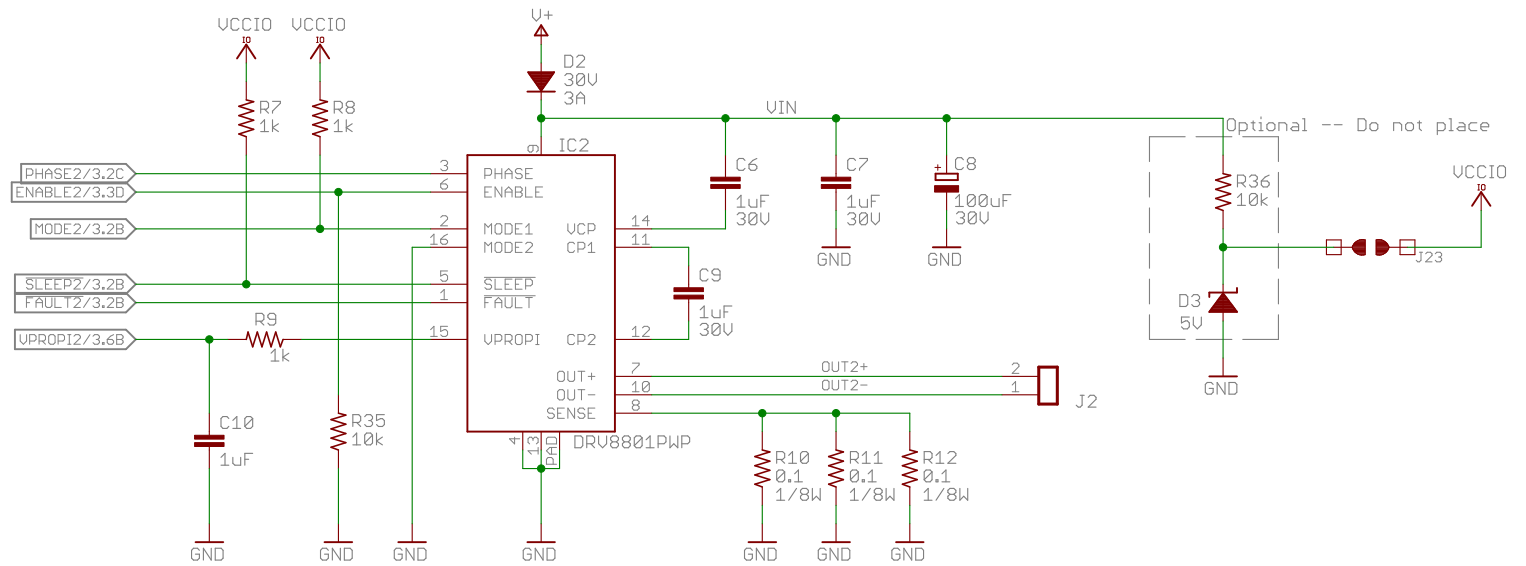
TITLE: ad030

Document Number:
Medium Power Motor Driver

REV:
E

Date: 10/14/11 8:20 PM

Sheet: 1/3



Bridge #2

Rugged Circuits LLC
Copyright 2011

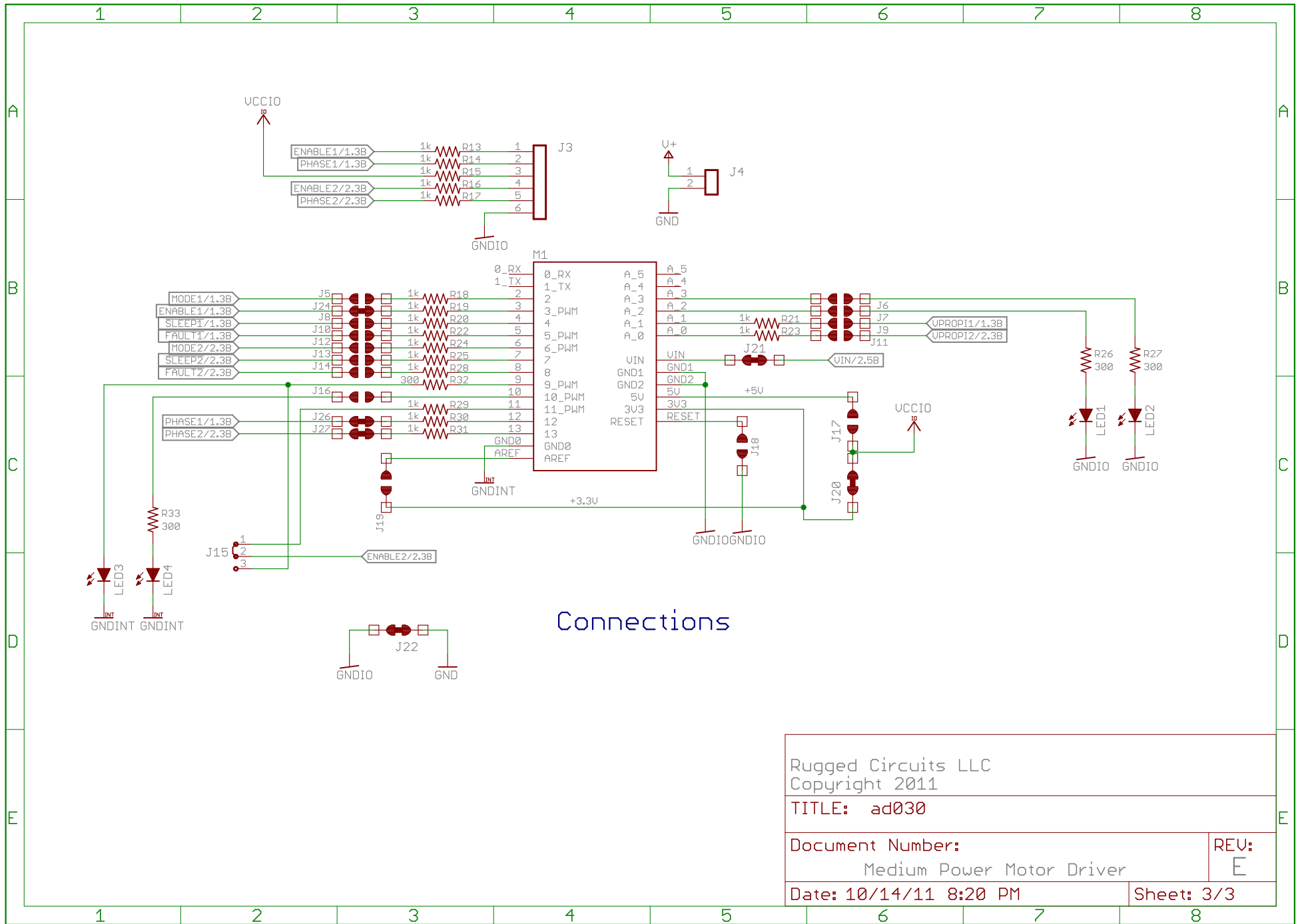
TITLE: ad030

Document Number:
Medium Power Motor Driver

REV:
E

Date: 10/14/11 8:20 PM

Sheet: 2/3



Connections

Rugged Circuits LLC Copyright 2011	
TITLE: ad030	
Document Number: Medium Power Motor Driver	REV: E
Date: 10/14/11 8:20 PM	Sheet: 3/3