

RoHS



Rugged Circuits LLC
 Copyright 2011. All Rights Reserved.

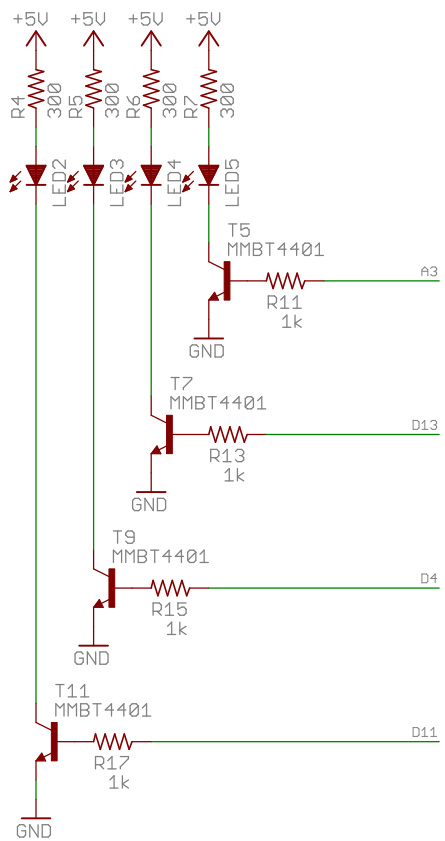
TITLE: ad040

Document Number:
Gadget Shield v2

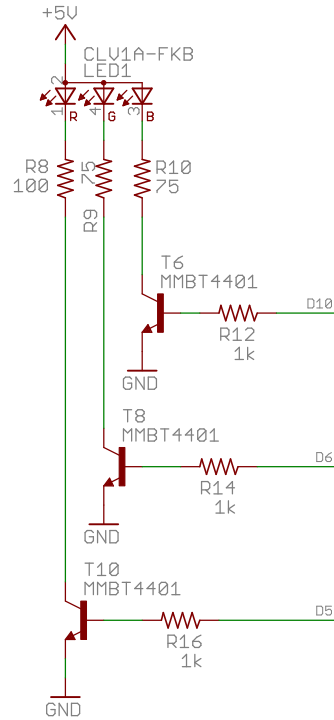
REV:
D

Date: 2/18/11 4:40 PM

Sheet: 1/6



LED's



RGB LED

Rugged Circuits LLC
Copyright 2011. All Rights Reserved.

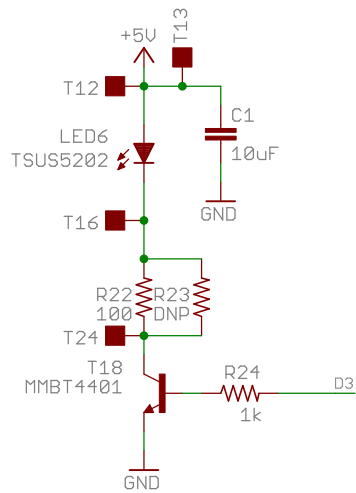
TITLE: ad040

Document Number:
Gadget Shield v2

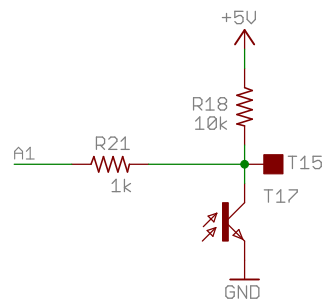
REV:
D

Date: 2/18/11 4:40 PM

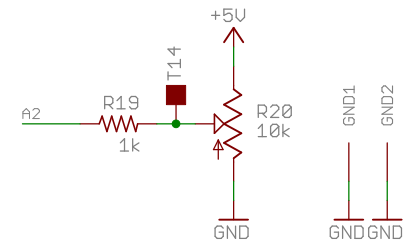
Sheet: 2/6



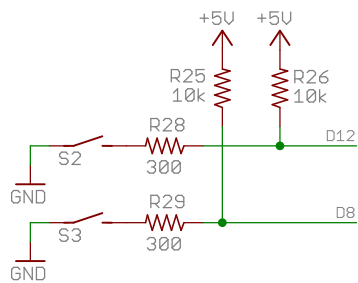
IR Emitter



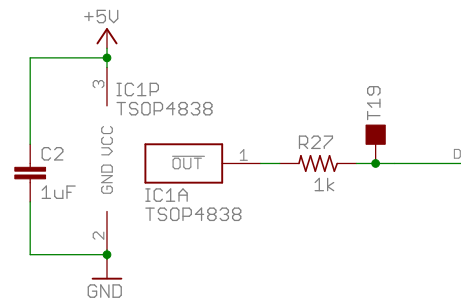
Light Sensor



Potentiometer



Pushbuttons



IR Detector



Rugged Circuits LLC
Copyright 2011. All Rights Reserved.

TITLE: ad040

Document Number:

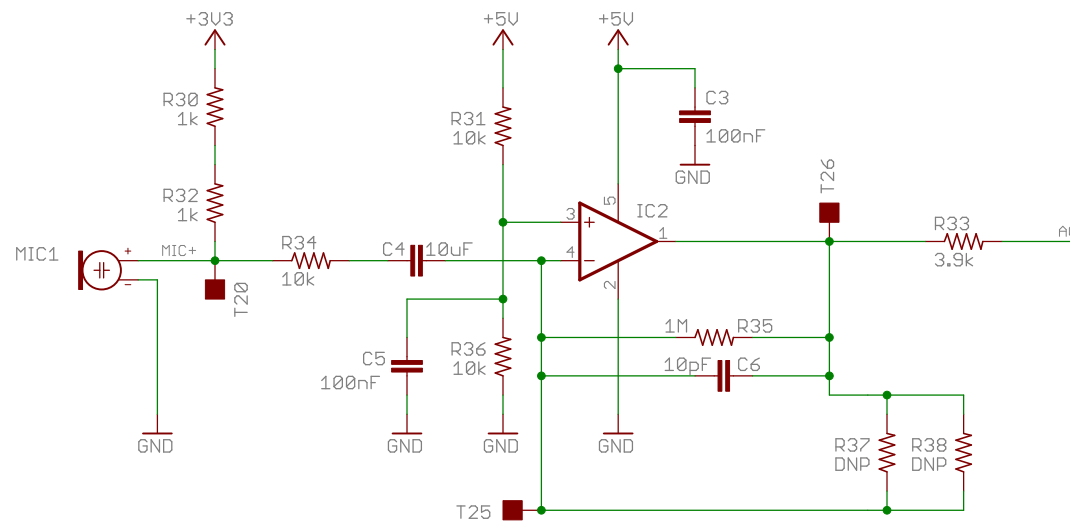
Gadget Shield v2

REV:

D

Date: 2/18/11 4:40 PM

Sheet: 3/6



Microphone

Rugged Circuits LLC
 Copyright 2011. All Rights Reserved.

TITLE: ad040

Document Number:

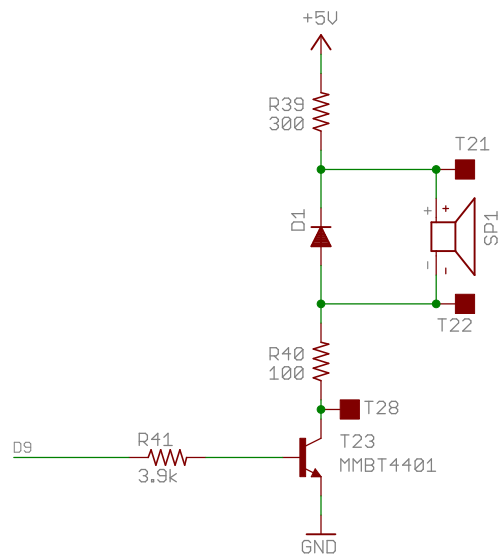
Gadget Shield v2

REV:

D

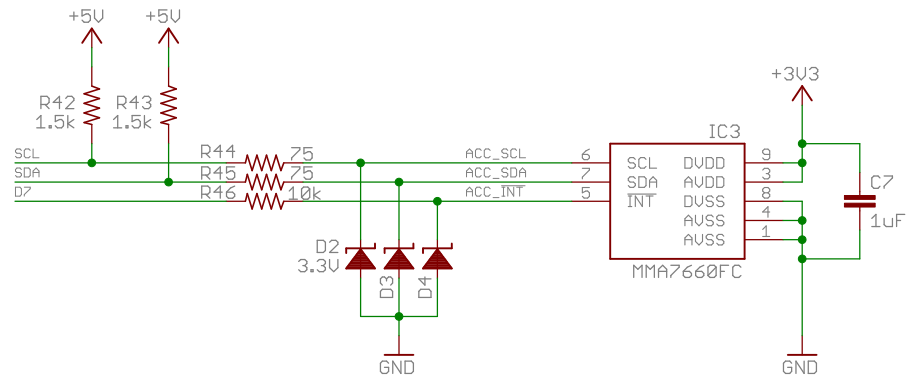
Date: 2/18/11 4:40 PM

Sheet: 4/6



Audio Transducer

Rugged Circuits LLC Copyright 2011. All Rights Reserved.	
TITLE: ad040	
Document Number: Gadget Shield v2	REV: D
Date: 2/18/11 4:40 PM	Sheet: 5/6



Accelerometer

Rugged Circuits LLC
Copyright 2011. All Rights Reserved.

TITLE: ad040

Document Number:

Gadget Shield v2

REV:

D

Date: 2/18/11 4:40 PM

Sheet: 6/6