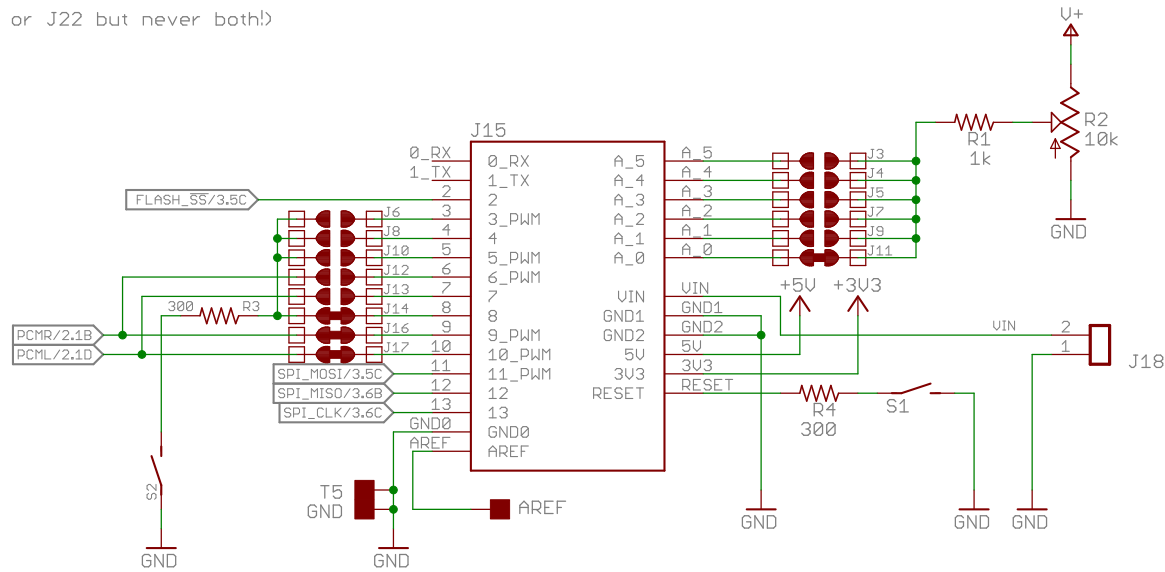


System Voltage Selection

(install either J21 or J22 but never both!)



RoHS



Rugged Circuits LLC
Copyright 2011. All Rights Reserved.

TITLE: ad120

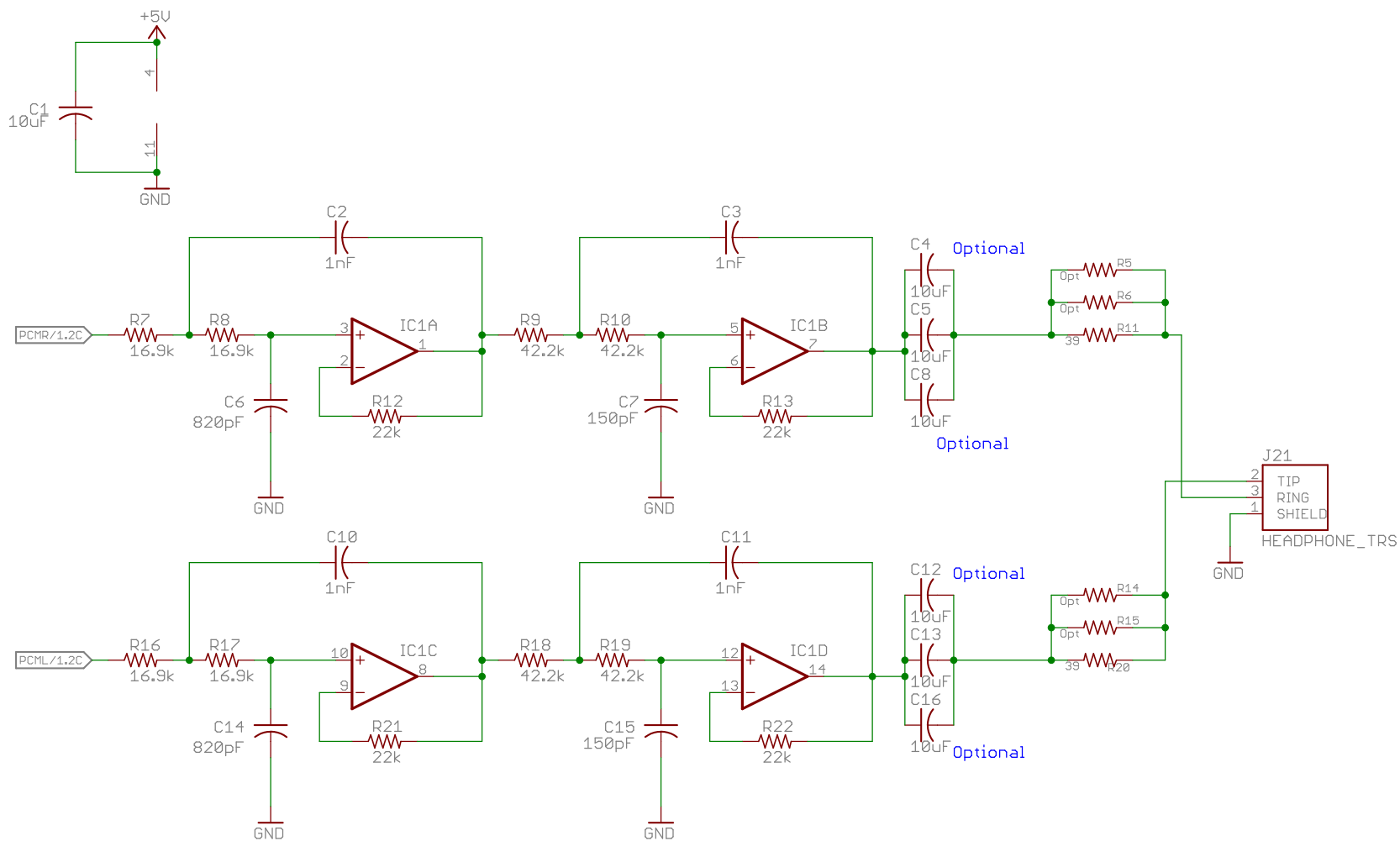
Document Number: BeatVox

REV: A

Date: 5/31/11 11:59 PM

Sheet: 1/3

Arduino Interface



Rugged Circuits LLC
 Copyright 2011. All Rights Reserved.

TITLE: ad120

Document Number:

BeatVox

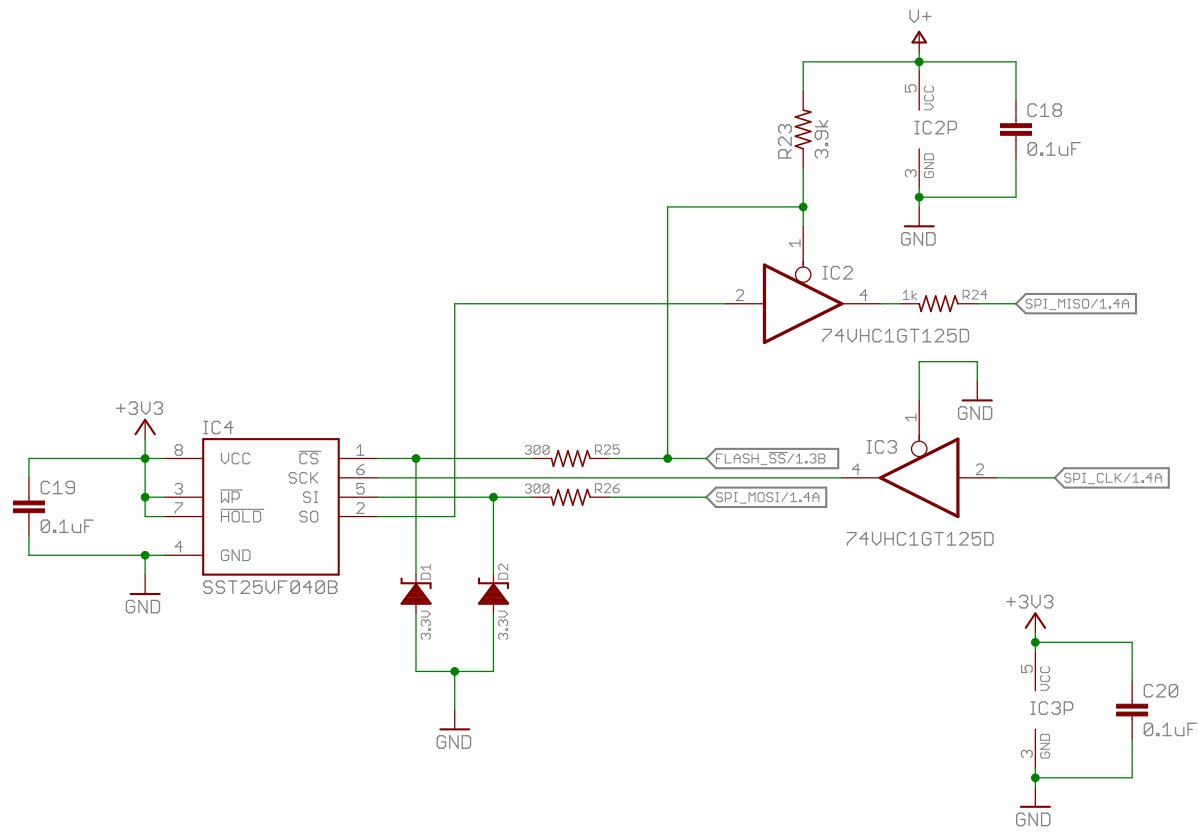
REV:

A

Date: 5/31/11 11:59 PM

Sheet: 2/3

Headphone Filter



Rugged Circuits LLC
 Copyright 2011. All Rights Reserved.

TITLE: ad120

Document Number:

BeatVox

REV:

A

Date: 5/31/11 11:59 PM

Sheet: 3/3

NAND FLASH